



& ASSOCIATES, INC.

heat tracing specialists



121 Series NEMA 7 THERMOSTAT

Controls



Description

The 121 line of thermostats are explosion & weatherproof temperature controls housed in a NEMA 4X, 7 lightweight die cast aluminum enclosure. They're approved for use in Class 1 Div. 1 & 2 hazardous locations. The E121 line sensing thermostat is ideal for process temperature applications. The B121 ambient sensing thermostat has an immersion stem for sensing atmospheric temperatures and is ideal for freeze protection applications. Both thermostats are SPDT (Single Pole Double Throw) switches that offer a very dependable and accurate control for heat trace circuits in hazardous locations.

Features

- Class 1 Divisions 1 & 2, Groups B C & D
- Class 2 Divisions 1 & 2, Groups E F & G
- Class 3
- 25°F - 325°F Range (E121)
- 15°F - 140°F Range (B121)
- 3/4" NPT hub for electrical
- 304 SS Bulb/Capillary (E121), Immersion Stem (B121)
- NEMA 4X, 7, 9, IP66
- Internal Dial (Gasketed SS Tamper Resistant)



TAD & Associates, Inc.
P.O. Box 2170
Canyon Lake, Texas 78133

Phone: 830.964.4435
Fax: 830.964.4441
<http://www.tad-associates.com>

Specifications

Style	Switch Type	Range	Accuracy	Differential	Bulb Size	Capillary	Immersion Stem	Finish
E121	SPDT	25°F - 325°F	±1% Range	3°F - 6°F	10 1/2" x 3/8"	10'	NA	304SS
B121	SPDT	15°F - 140°F	±1% Range	3°F - 6°F	NA	NA	9/16" x 2-11/16"	304SS

Electrical Ratings

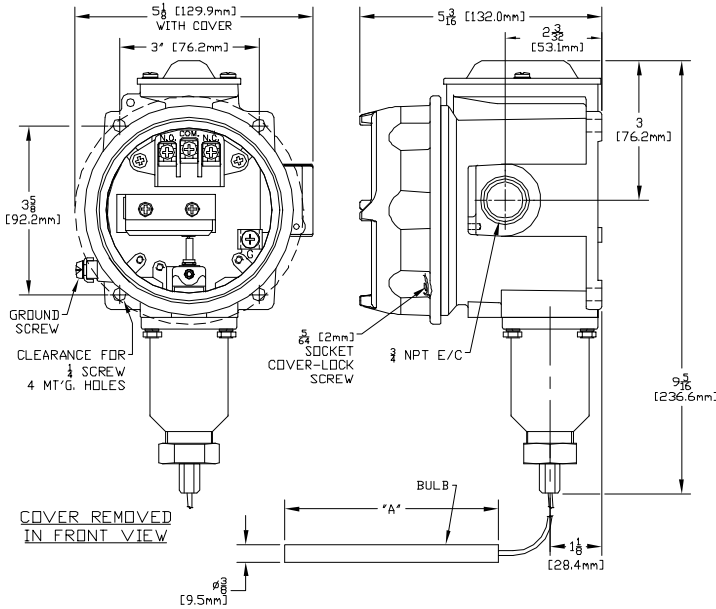
Ratings	120V - 480V
Resistive Amps	22A

Ordering Information

Example Configuration	E121	Weight
E121	Line Sensing Thermostat	6.4 Lbs.
B121	Ambient Sensing Thermostat	6.6 Lbs.

Notes: 1660-13A12(E121), 1660-18912(B121)

E121 Line Sensing



B121 Ambient Sensing

